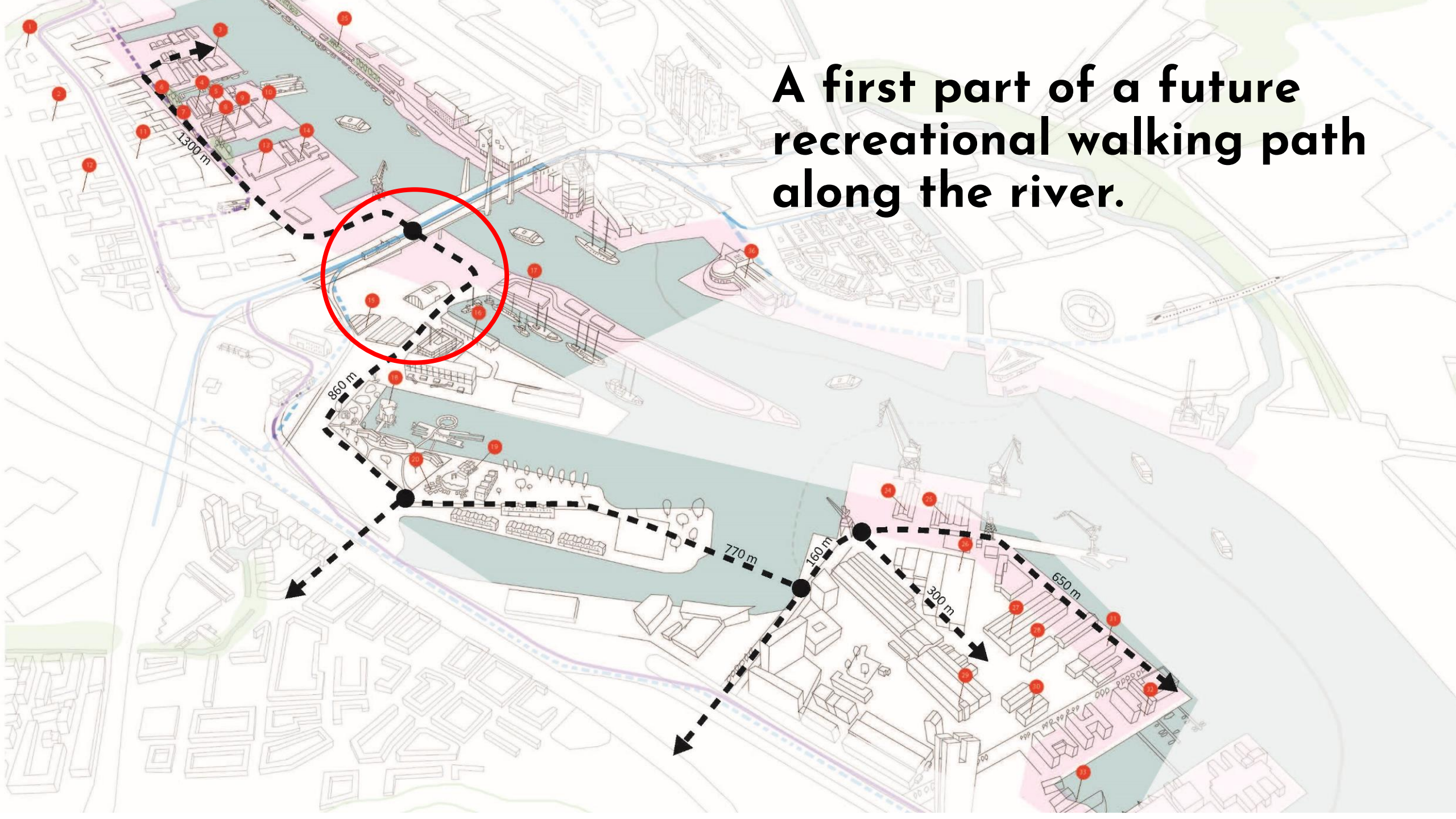


Frihamnen



A first part of a future recreational walking path along the river.



Transition Lab



A prototype of a citizens' lab and a prototype workshop

From autumn 2022, the Transition Lab prototype has been developed with the aim of strengthening, exploring and testing methods of co-creation and inclusion linked to the transition work.

During the summer of 2023, the site will serve as a meeting point for Prototyping Gothenburg, where visitors can meet hosts and guides and participate in programs.

A physical meeting place and prototype workshop

How can we create broad and understandable narratives for the transformation process and engage citizens in the work?

To drive and visualise transition and reuse, we need physical places where people can meet and together develop and concretise solutions for the future.



Reuse and Recycle

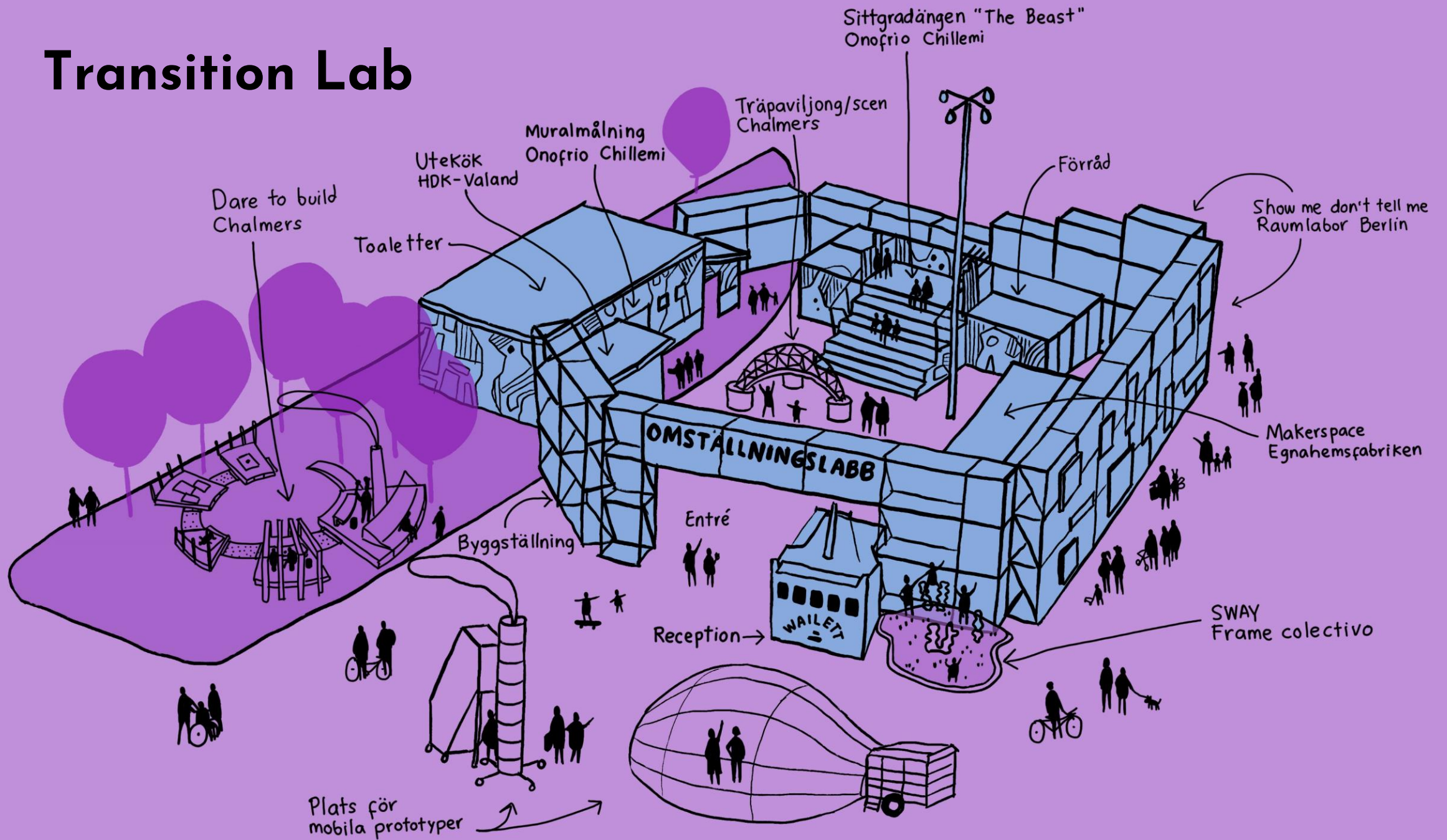
From high-impact construction to circular architecture

Democracy

Strengthen local democracy by making use of citizens' knowledge and commitment and co-create solutions.



Transition Lab

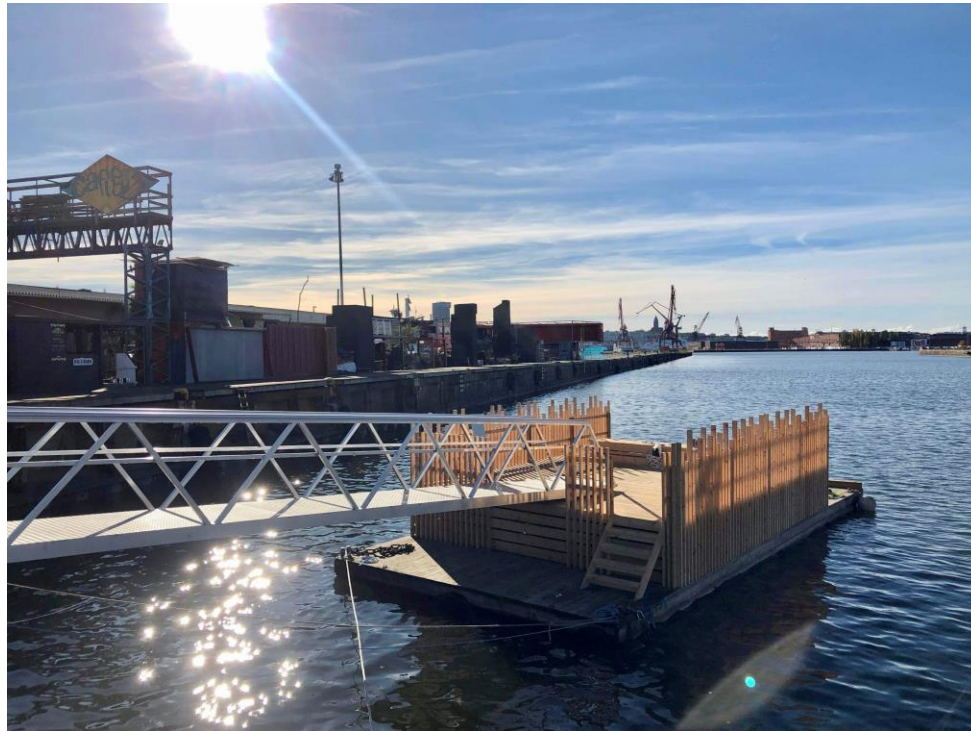


The Transition Lab - building with students



Flytevi - a blue community garden

Flytevi is the first urban blue community garden in Sweden, and was built in 2022 as a collaboration between the City of Gothenburg and the University of Gothenburg. It will primarily serve as an educational and research platform, as well as for public programs.



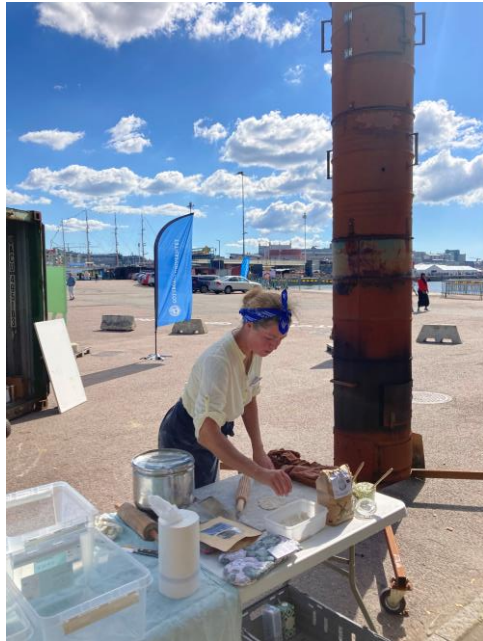
Future food from the ocean

The blue community garden investigates the future sustainable food from the ocean. During events, the public get the opportunity to taste and cook with new ingredients.



Community cooking

A need for a kitchen at the Transition lab – both for cooking during building brigades and workshops and for the blue community garden.



Participatory design



Students from HDK-Valand, Embedded design, took on the task of designing the kitchen, in a participatory design process together with the City of Gothenburg, Sea and Society (Gothenburg University) and Egnahemsfabriken.

What voices and perspectives are included in the decision-making process?

Participatory design can be time-consuming and resource-intensive

Participatory design can struggle to represent the diversity of communities, particularly marginalized groups

What is the material power of an outdoor mobile kitchen?

How can it challenge arrangements of agency and domination?

How can simple objects like a coffee mug and the design process itself help us shape our future relationships in Gothenburg City?

The outdoor kitchen: process

KEY INSIGHTS: TRANSITION LAB

Child-proof

Movable by one person

Support up to 30 people
cooking/eating together

Collage Identity: representing
a diversity of people

Recycled materials

Accessible to everyone

Safe to use

Gas over electricity

KEY INSIGHTS: ARCHITECT

Countertop height: 90 cm

The gas oven need wind
protection

Minimum tabletop working width
per person: 60 cm

Stainless steel is most hygienic
material for countertops

Include countertop space next
to sink for prepping

Flexible faucets are practical

KEY INSIGHTS: WHEELCHAIR USER

Comfortable eating/prepping
countertop height = 81cm

Width of chair: 61 cm

Space between modules, to
turn around with chair: 91 cm

Sink with faucets at the front

The outdoor kitchen: process

Concept Keywords

Welcoming

Collective

Recycling (Upcycling)

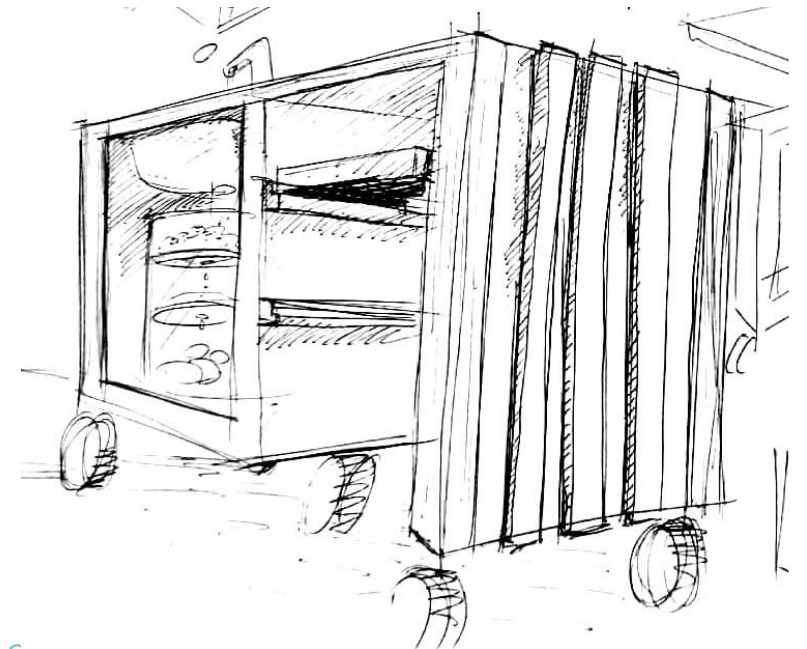
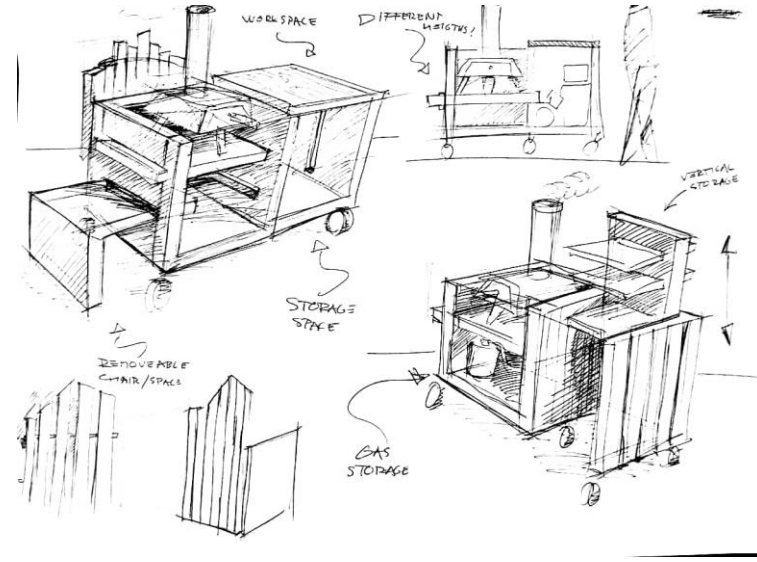
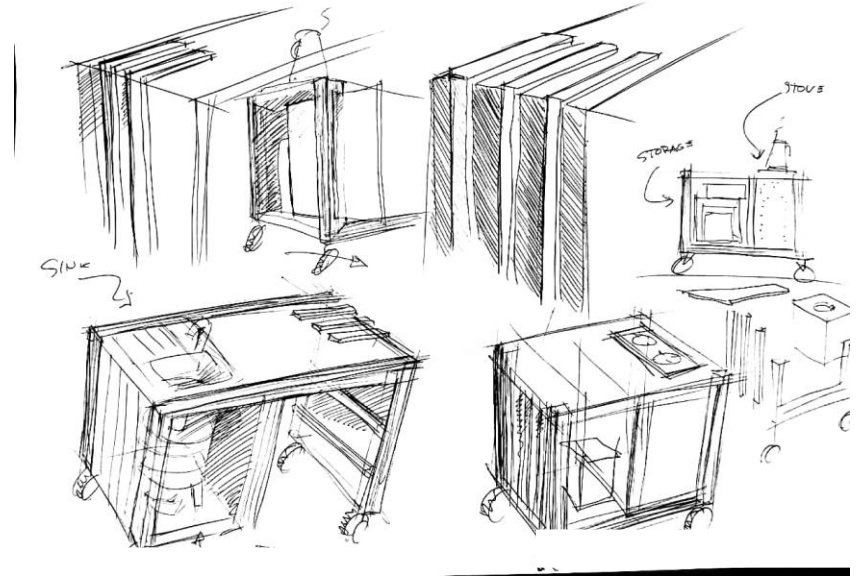
Prototyping

Experimentation

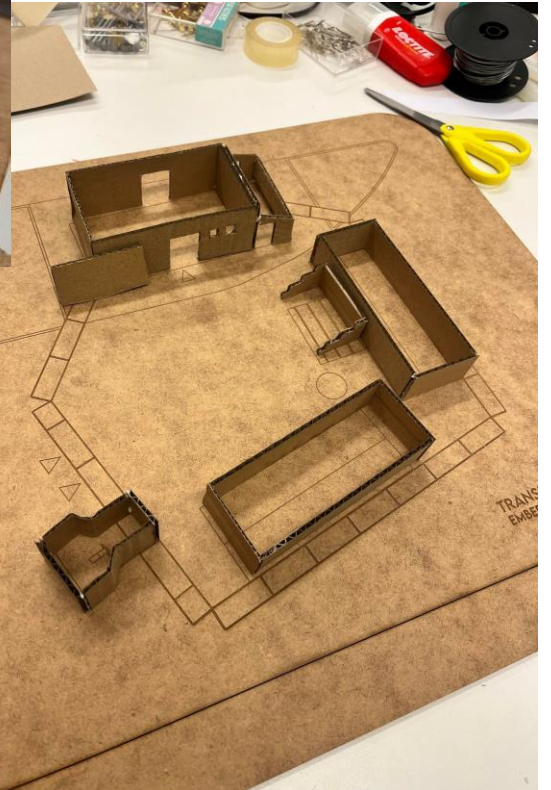
Curiosity

Sustainability

Dialogue

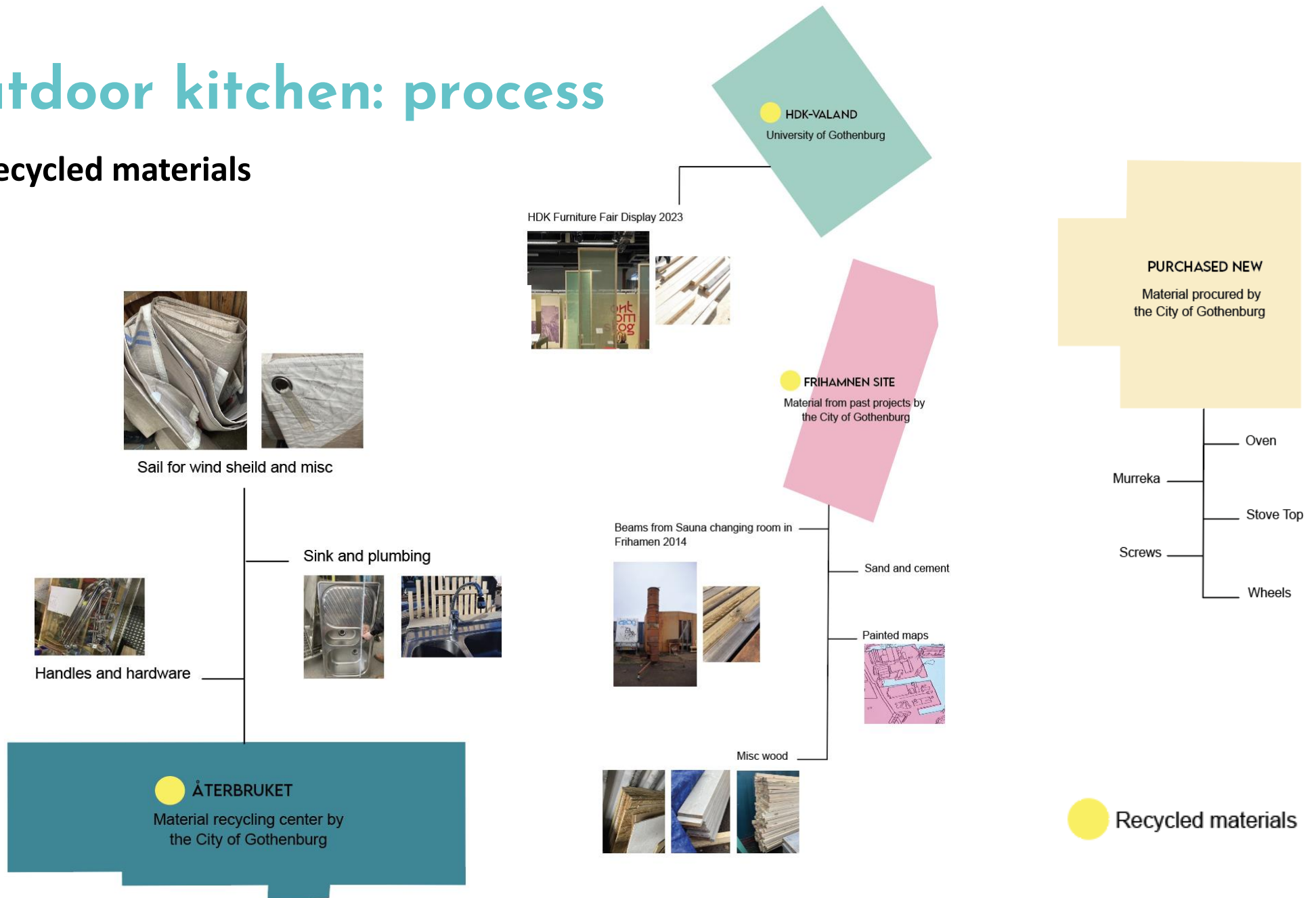


The outdoor kitchen: process

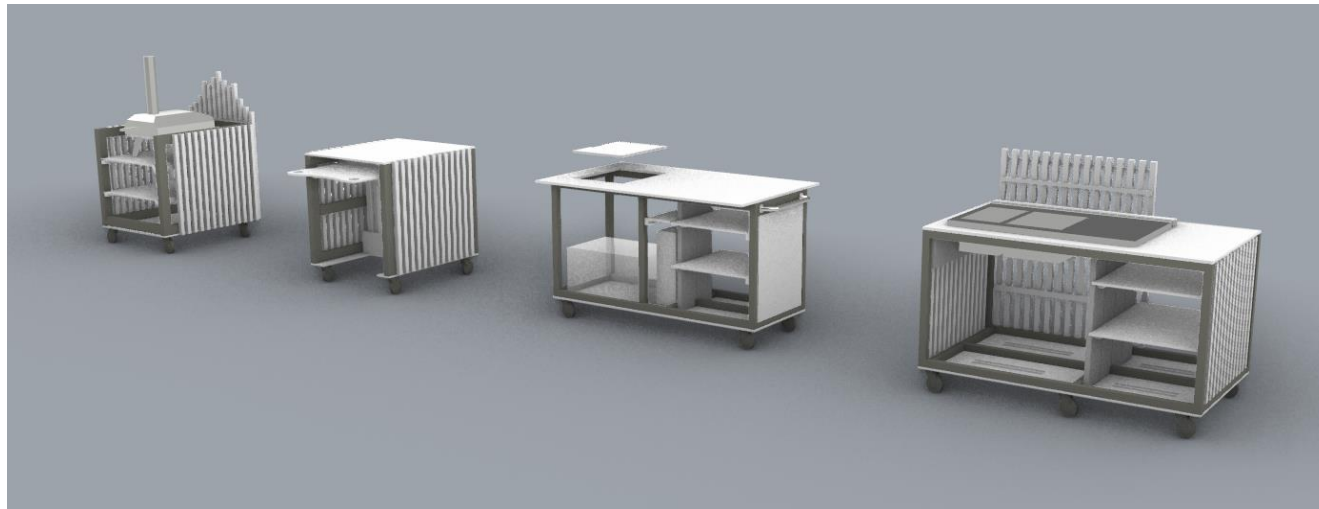


The outdoor kitchen: process

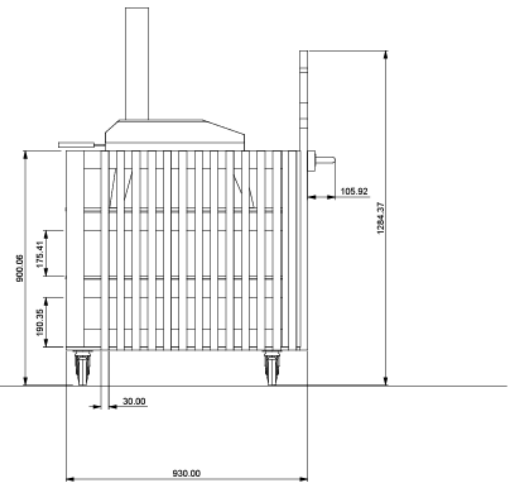
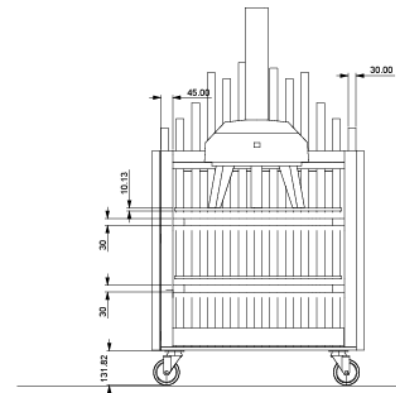
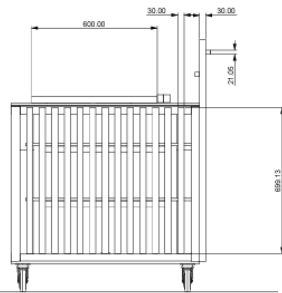
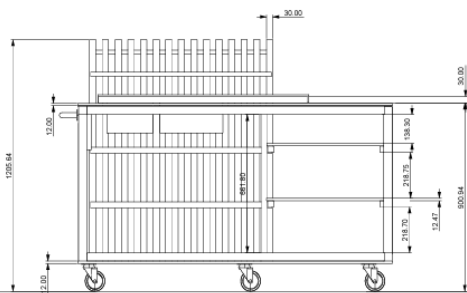
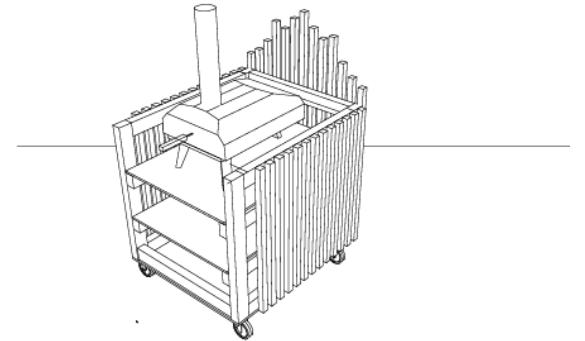
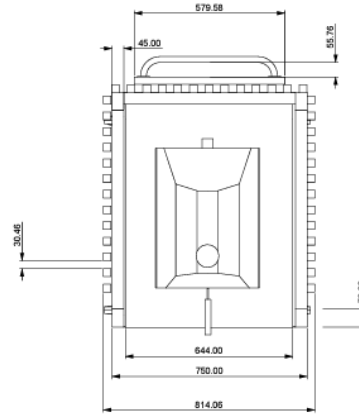
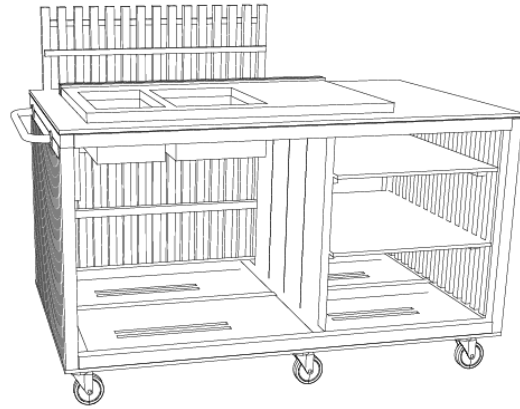
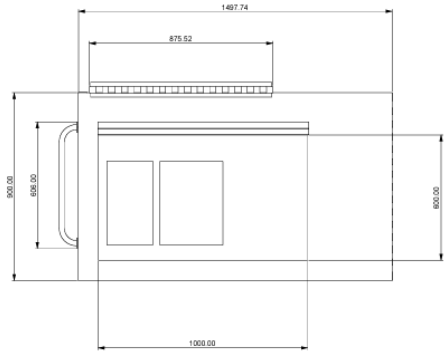
Mapping: Recycled materials



The outdoor kitchen: process



The outdoor kitchen



The outdoor kitchen

Prototyp Göteborg

Pizza oven

This modul is specially designed for the pizza oven. It is possible here to lower the shelves and place them on the bottom together with the oven to make it easier to move this furniture. This module is addressed to be used by an adult because it requires attention and caution.



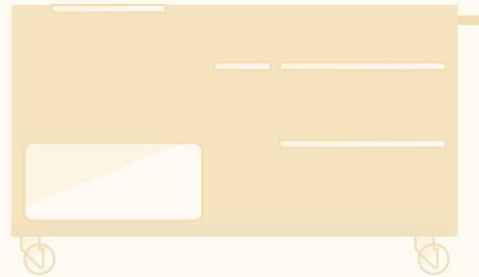
In the summer of 2023, when Gothenburg celebrates 400 years, public spaces will be transformed into an exhibition arena.

Creating a mobile outdoor kitchen, with the goal to contribute to sustainable city development. Embedded design in HDK - Valand

Prototyp Göteborg

Workspace

The Workspace modul is the most important of all. Here will take place the preparation of meals, learning about the new, teaching, exploring, making contact with others. There is space under the countertop for the instructor to gather all the necessary tools, objects and ingredients.



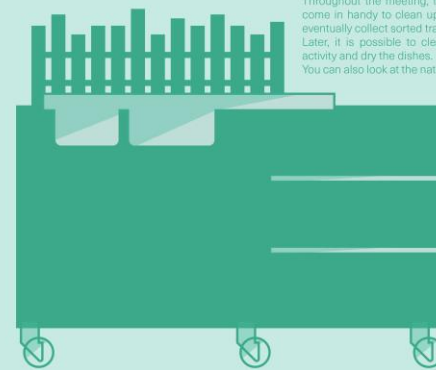
Creating a mobile outdoor kitchen, with the goal to contribute to sustainable city development. Embedded design in HDK - Valand

In the summer of 2023, when Gothenburg celebrates 400 years, public spaces will be transformed into an exhibition arena.

Prototyp Göteborg

Sink

In this module, one can prepare oneself (wash hands) and objects, ingredients for dishes (wash them) to start the process of preparing a meal and exploring the aquatic world (learning about marine plants and animals). Throughout the meeting, this module can come in handy to clean up on the go and eventually collect sorted trash. Later, it is possible to clean up after the activity and dry the dishes. You can also look at the natural water purifi-



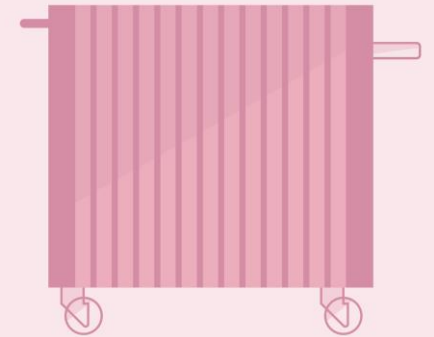
Creating a mobile outdoor kitchen, with the goal to contribute to sustainable city development. Embedded design in HDK - Valand

In the summer of 2023, when Gothenburg celebrates 400 years, public spaces will be transformed into an exhibition arena.

Prototyp Göteborg

Storage

This module is designed as a work space, especially for people who need a different height of the tabletop, such as when using a wheelchair. Here is an additional free storage space in the base of the object.



Creating a mobile outdoor kitchen, with the goal to contribute to sustainable city development. Embedded design in HDK - Valand

In the summer of 2023, when Gothenburg celebrates 400 years, public spaces will be transformed into an exhibition arena.

Building brigade on site



Building brigade on site



The outdoor kitchen

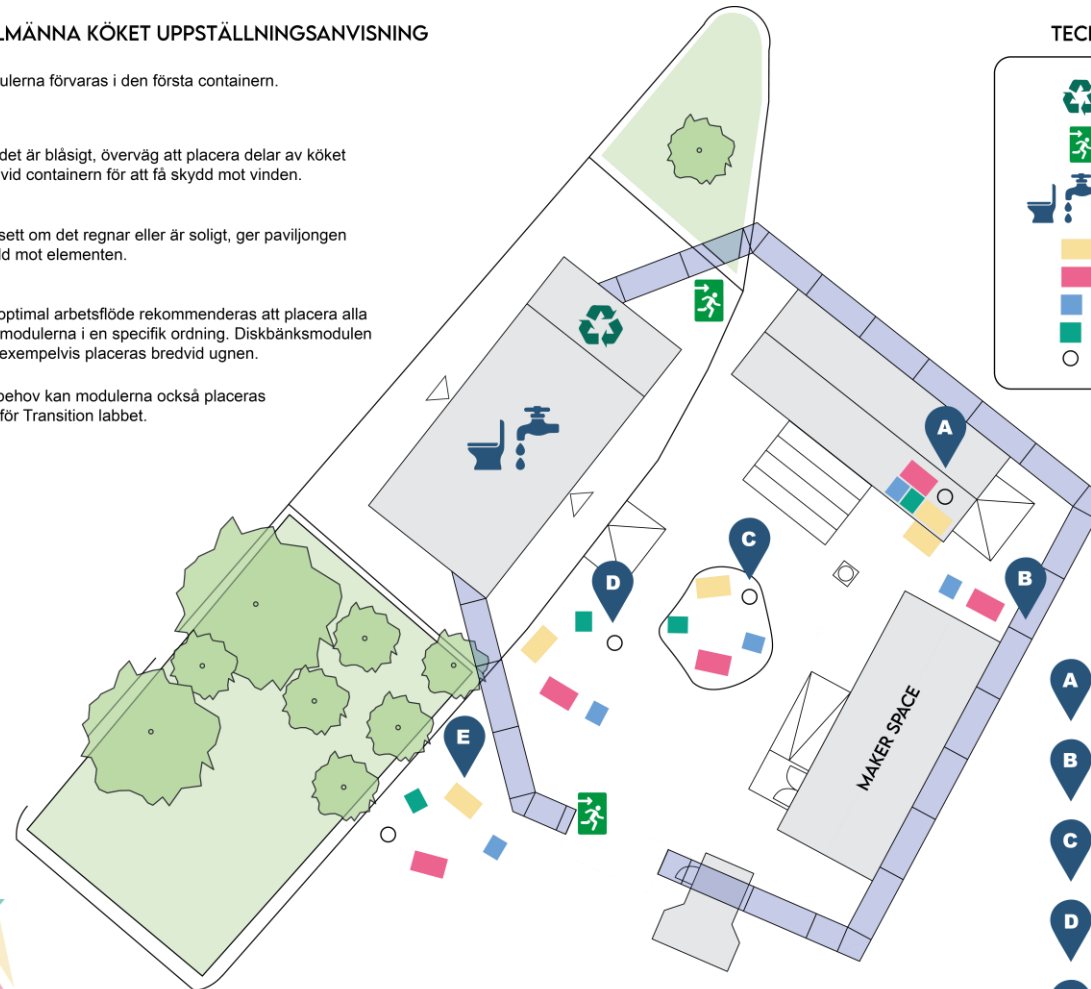
Kitchen modules setup guide

ALLMÄNNA KÖKET UPPSTÄLLNINGSANVISNING

- A** Modulerna förvaras i den första containern.
- B** Om det är blåsigt, överväg att placera delar av köket bredvid containern för att få skydd mot vinden.
- C** Oavsett om det regnar eller är soligt, ger paviljongen skydd mot elementen.
- D** För optimal arbetsflöde rekommenderas att placera alla fyra modulerna i en specifik ordning. Diskbänksmodulen kan exempelvis placeras bredvid ugnen.
- E** Vid behov kan modulerna också placeras utanför Transition labbet.

TECKENFÖRKLARING / LEGEND

-  Återvinningscentral / Recycling station
-  Utrymningsväg / Emergency exit
-  Toalett och vattentillgång / Toilets and water access
-  Handfatet / The Sink
-  Bordet / The Table
-  Det Flexibla / The Flexible
-  Ugnen / The Oven
-  Muurikka



ALLMÄNNA KÖKET SETUP GUIDE

- A** The modules are stored in the first container.
- B** If it's windy, consider setting up parts of the kitchen by the container to get protection from the wind.
- C** Whether it's raining or sunny, the pavilion provides protection from the elements.
- D** For optimal workflow, it's recommended to place all four modules in a specific arrangement. The sink module, for instance, can be placed next to the oven.
- E** If needed, the modules can also be placed outside the Transition lab.



EMBEDDED DESIGN, HDK-VALAND 2023

The outdoor kitchen

Using the kitchen for the first time



The outdoor kitchen

Result:

Made from (almost) fully recycled materials

Modular & Flexible

Accommodates different needs

Supports 10 –12 people cooking together

"Hack-able" / adaptable

Identity: logo and illustration

Guides

Kitchen drawings

